

Master&Master

Oasis

Flower table

An oasis for your plants! Master & Master breathes new life into the tradition of flower tables in the interior with a fresh design by Jiří Pelcl. This original and practical addition is the ideal choice for creating a green still life in your living space. Your houseplants will not only look stunning, but with its various pedestal levels, you will also provide them with the optimal conditions for growth. The Oasis table is made of high-quality materials: hand-brushed lacquered oak veneer on plywood, which is well resistant to water and other external factors, while the firmly attached steel tubes ensure stability, durability and load-bearing capacity even under heavy loads. The table is available in 2 sizes and 3 stylish colours: light grey, black and green.

Sizes:

500 x 720 x 390 mm

500 x 1050 x 390 mm

Materials:

powder coated steel

lacquered brushed oak veneer on plywood

Load capacity:

150 kgs

Design:

Jiří Pelcl

Colors:

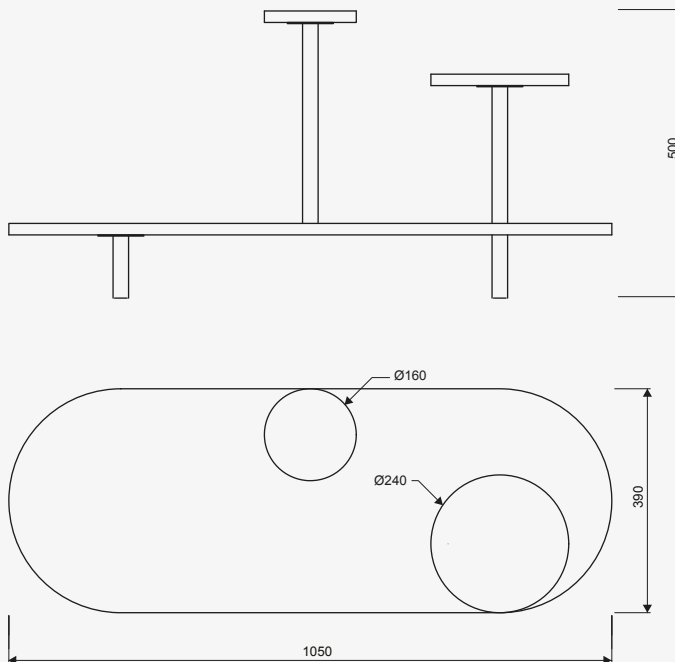
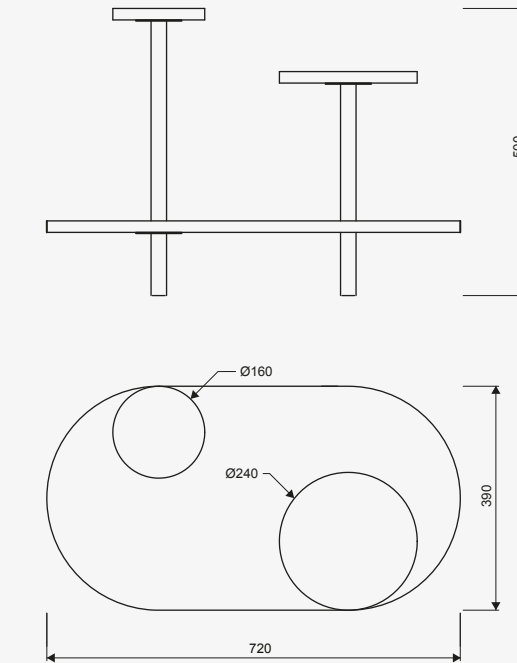
RAL 9011 Graphite black (matt)

RAL 7044 Silk grey (matt)

RAL 6003 Olive green (matt)

<https://masterandmaster.eu/products/oasis>

© Master & Master 2024



Assembly instructions

