

Master&Master

Reverse Wide

Screw-on table legs, set of 2

The even more solid Reverse Wide 73 x 85 cm table legs were designed to carry really massive table tops. They are wider than our "regular" Reverse legs, and are made out of a thicker 12mm wire. These legs are well suited for pairing with our Crane table reinforcements.

Size: 730 x 850 x 500 mm

Material: powder coated steel

Load capacity: 400 kgs

Design: Michal Malášek

Available colors:

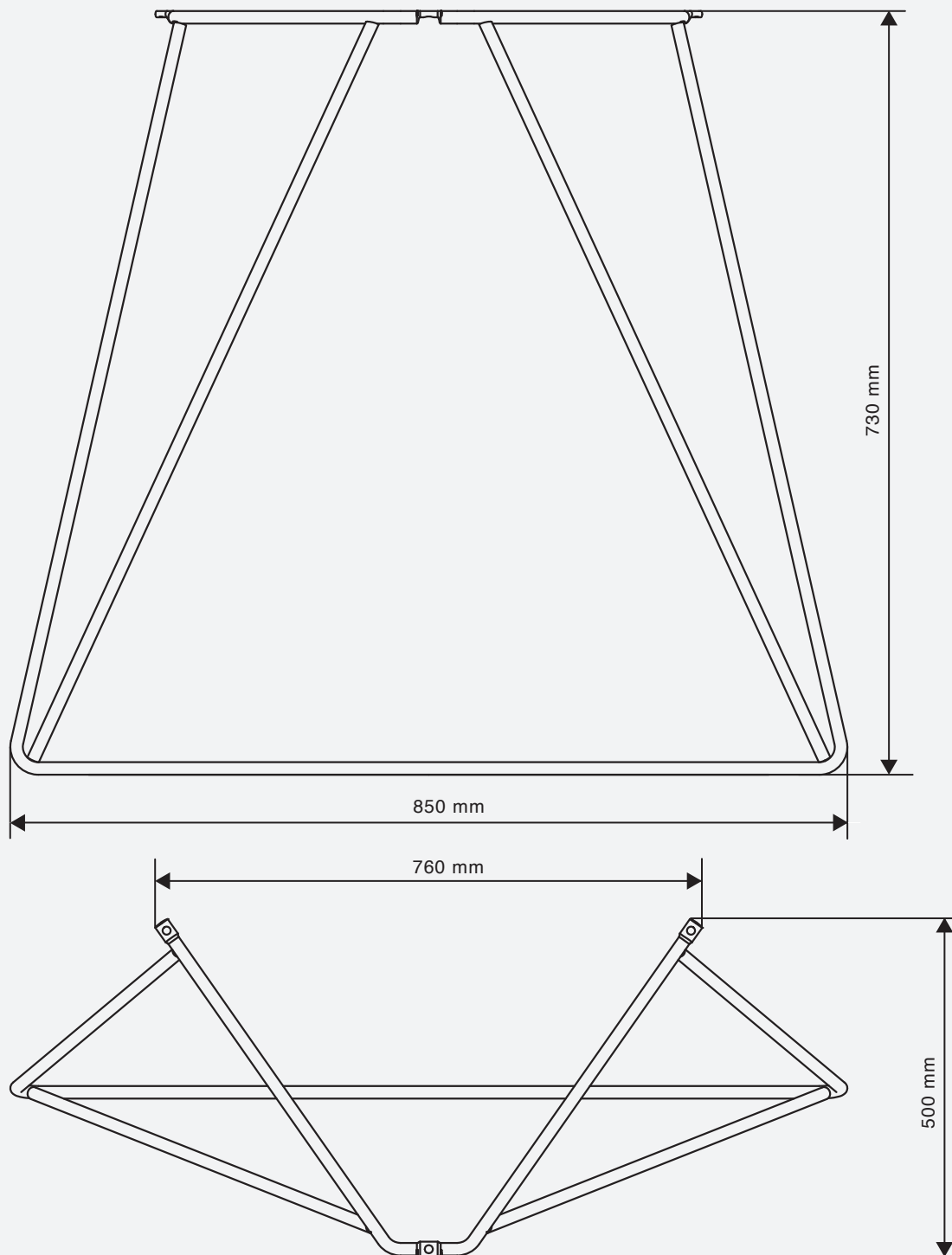
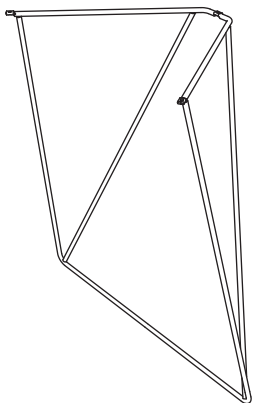
RAL 9003 Signal White

RAL 9005 Jet Black

RAL 6027 Light Green

For a custom colors and sizes please contact us.

Made in Czech Republic



<https://www.masterandmaster.eu/#!/product/reverse-wide>

© Master & Master 2023

